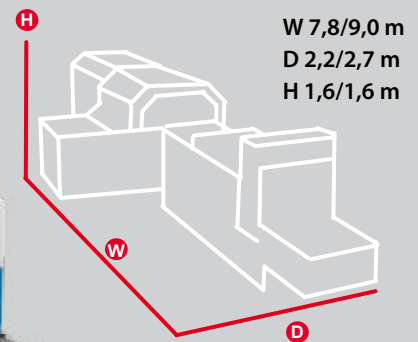




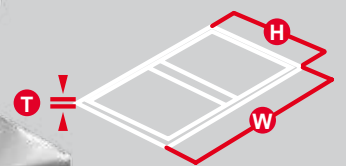
Roby 1800 / Roby 1800 XL

Automatic casemaker

max cm 45x76 / 60x100  1400 cycles/h



W 7,8/9,0 m
D 2,2/2,7 m
H 1,6/1,6 m



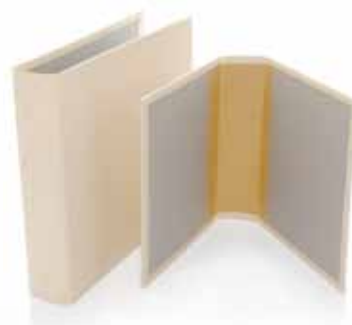
H 11 - 45/60 cm
W 20 - 76/100 cm
T 1,0 - 3,0 mm

The Roby 1800 casemaker can produce:

- single-piece cases for files; inside lining can be performed in second pass
- three-piece cases for hard cover books
- cases made of up to 5 pieces, for special products such as sample catalogues, calendars, diaries, religious books.

The following covering materials can be used:

paper, laminated paper, polyurethane, fabric, other materials are subject to prior testing.



The Roby 1800 is composed of:

Sheet feeder

High pile automatic feeder
Rear material grip
Double feed control
Max size: cm 48 x 80 / 63 x 103
Min size: cm 11 x 20 / 11 x 20
Min material weight: gr/m² 115

Gluing unit

Sheets are glued from the top with hot animal glue
Circulating glue pump
Premelter
Quick and easy cleaning

Transport system

A suction belt ensures safe transport of sheets to the mounting station and accurate alignment.

Board feeder

Max board size: cm 45 x 76 / 600x 100
Min board size: cm 11 x 20 / 11 x 20
Max cardboard thickness: mm 3
Min cardboard thickness: mm 1
Max number of pieces: 6 (standard)
Min spine width (board): mm 10
Optional: flexible spine feeder (off the spool)
Non-stop loading from the top
Boards are fed from the bottom by means of pushers.
Precise mounting thanks to the optical reading of the tail end of the covering sheet

Pressing station

The case is pressed gently by Teflon-coated rollers.

Turning-in station

Side fold by means of twisted belts
Front and rear fold with mechanical flaps
Minimum fold: 18 mm (depending on material)
Corner closing station with adjustable pressure and duration

Delivery

The cases are delivered in a single stream on a transport belt.

TECHNICAL DATA

Maximum speed: cycles/h 1400
Rated power: kW 8
Standard voltage: V 400 /Hz 50/3 phase (others available upon request)
Air consumption (to be supplied by the user): l/min 450 - atm 6
Machine dimensions: cm 780 (with belt) x 220 x h 160 / 900 x 270 x h 160
Weight: kg 3600 / 4800

Machine versions:

Roby 1800: standard version
Roby 1800 XL: large-size version (cm 60 x 100)
Lining 1800: for inside lining only; with high pile delivery

Roby 1800 / Roby 1800 XL

Automatic casemaker

ALTERNATIVE MACHINES

**Roby Junior 2**

Casemaker with automatic board feeder

Max size: cm 50 x 70

Max speed: cycles/hour 250

**Roby Junior 2 VAS**

Casemaker with automatic cardboard feeder and single pass finishing

Max size: cm 50 x 70

Max speed: cycles/hour 350

COMPLEMENTARY MACHINES

**Roby 1800 Lining**

Laminating machine

Max size: cm 45 x 76

Max speed: cycles/hour 1400